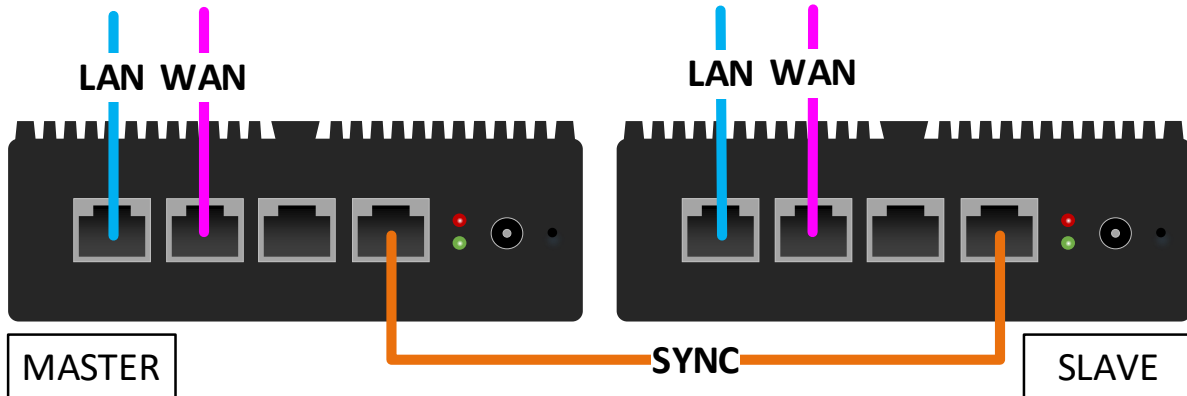


Modello: New 4 Cluster

Schema apparato:



Prima Configurazione pfSense/OPNsense:

Master

Lan: 192.168.0.25

Wan: 192.168.131.25

GW: 192.168.131.1

Slave

Lan 192.168.0.26

Wan: 192.168.131.26

GW: 192.168.131.1

Carp Lan: 192.168.0.1

Carp Wan: 192.168.131.130

Dati di accesso:

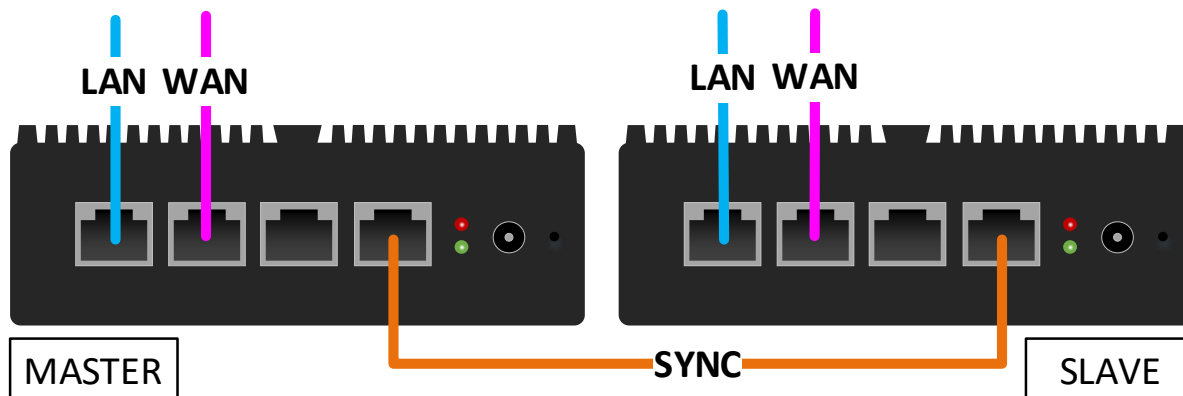
	pfSense	OPNsense
username	admin	admin
password	pfsense	opnsense

Note:

- DHCP Server non attivo

Model: New 4 Cluster

Apparatus diagram:



First pfSense/OPNsense setup:

- assign your PC the IP address 192.168.1.2/24 or leave the interface in DHCP
- connect via network cable to LAN 2, identified in the diagram by number 2
- connect the power supply to the device
- access the following page via browser for the configuration wizard: <https://192.168.1.1>

Login information:

	pfSense	OPNsense
username	admin	admin
password	pfsense	opnsense

Note:

- The console port (COM) only allows access to the BIOS via serial, it does not allow installation of the OS. To install the OS or connect in CLI, use the HDMI port.